

SUBMITTAL SHEET

JOB NAME	ITEM TAG
JOB LOCATION	PART NUMBER
CONTRACTOR	DATE
ENGINEER APPROVAL	DATE

LEAD FREE FULL PORT PRESS-TO-CONNECT SWING CHECK VALVE

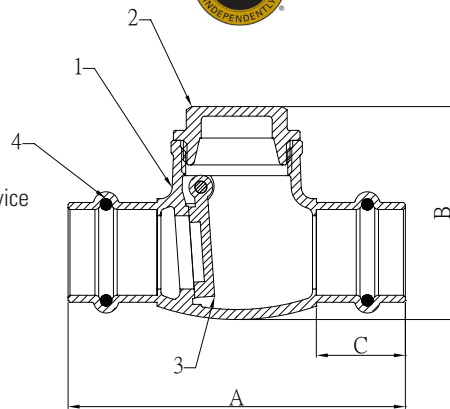
P-451 No-Lead

Lead-free design is suitable for all no-lead potable water installations. Labor-saving vus-pattern press-to-connect tubing sockets eliminate the potential fire hazard associated with solder connections. A durable, full-pattern cast brass body resists distortion and maintains sealing integrity after the pressing process. Large, integral seat and disc sealing surfaces assure positive closure. T-pattern body permits either vertical (upward flow only) or horizontal (assembly cap upright) installations. Forged brass hinge pin permits smooth, non-binding disc operation under varying flow conditions. Available in nominal tubing sizes 1/2" to 2"

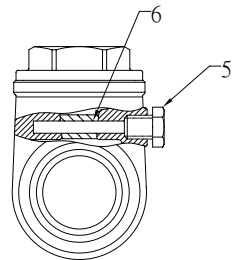
Working Pressure, Non Shock (PSI)

Cold working pressure (CWP): 200 psi
Saturated steam (WSP): Not suitable for steam service

- Complies with all current State (California, Maryland and Vermont) and future National no-lead plumbing laws, as certified by the Water Quality Association
- Manufactured in an ISO accredited facility



Pictured P-451 No Lead
Cut-away view



Pictured P-451 No Lead
End view

MATERIAL SPECIFICATION		
PART	MATERIAL	SPECIFICATION
1 Body	Lead-free cast brass	UNS alloy C87850
2 Assembly cap	Lead-free cast brass	UNS alloy C87850
3 Disc	Lead-free forged brass	UNS alloy C69300
4 Socket O-ring	EPDM rubber elastomer	Commercial-grade, NSF compliant
5 Pin retaining screw	Forged brass	ASTM B16 UNS C36000
6 Hinge pin	Forged brass	ASTM B16 UNS C36000

DIMENSIONS			
Size	A	B	C (Insertion depth)
1/2"	2.97	2.10	0.75
3/4"	3.50	2.27	0.93
1"	3.74	2.59	0.95
1-1/4"	4.13	3.12	0.98
1-1/2"	5.32	3.40	1.36
2"	6.06	4.10	1.56