

SUBMITTAL SHEET

JOB NAME	ITEM TAG
JOB LOCATION	PART NUMBER
CONTRACTOR	DATE
ENGINEER APPROVAL	DATE

FULL PORT ROTATING FLANGE PRESS-TO-CONNECT ISOLATION BALL VALVE

P-2011RFLG

Ideal for hydronic heating circulator pump isolation, permitting pump removal without the need for complete system drain-down and time-consuming air purging.

Standard diamond-shaped circulator pump flange connection rotates, to allow infinite valve positioning and access.

VUS pattern press-to-connect end is designed for installation onto ASTM B88 types K, L and M hard-drawn copper tubing. Coiled (annealed) soft copper tubing is not recommended.

Positive-seal, blowout-proof stem features a dual Teflon* packing and NBR rubber O-ring.

Full-port, unrestricted flow design does not adversely affect pump flow volumes.

Elongated flange holes permit trouble-free installation onto both standard and high-velocity pump flanges.

Flange mounting nut and bolt set included. Gasket not included.

Working Pressure, Non Shock (PSI)

Cold working pressure (CWP): 600 CWP

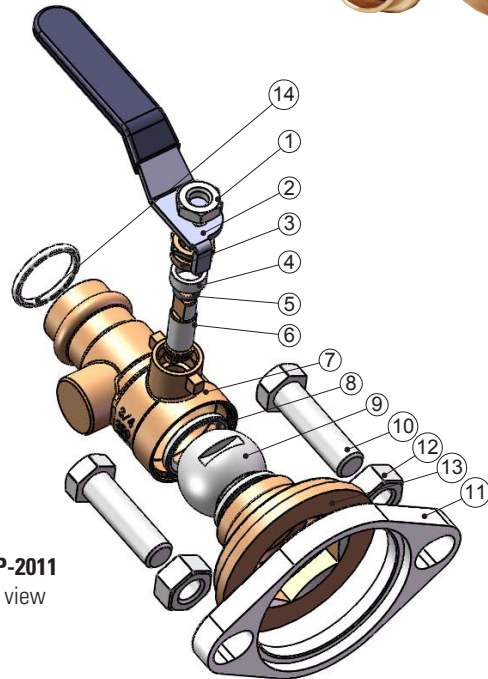
Saturated steam (WSP): Not suitable for steam service

Tube Insertion Depth, all nominal sizes: 1.18" (1 3/16")

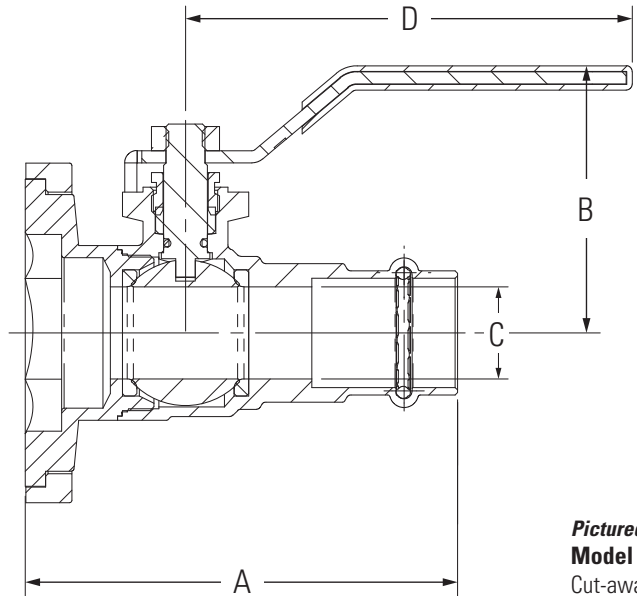
- Valve construction conforms to MSS SP-110 Standard; Press-type and pump flange end connections are currently excluded from this Standard
- Manufactured in an ISO accredited facility



Pictured Model P-2011



Pictured Model P-2011
Exploded view



Pictured Model P-2011
Cut-away view

MATERIAL SPECIFICATION

PART	MATERIAL	SPECIFICATION
1 Handle nut	Zinc plated steel	ASTM A283 Grade C
2 Lever handle	Zinc plated steel	ASTM A283 Grade C
3 Packing nut	Forged brass	ASTM B455 UNS C38500
4 Stem packing	PTFE	Commercial grade Teflon*
5 Stem O-ring	NBR rubber	Commercial grade
6 Stem	Forged brass	ASTM B455 UNS C38500
7 Body	Forged brass	ASTM B455 UNS C38500
8 Seats (2)	PTFE	Commercial grade Teflon*
9 Ball	Chrome plated forged brass	ASTM B455 UNS C38500
10 Flange bolts (2)	Zinc plated steel	ASTM A307 Grade C
11 Flange	Forged brass	ASTM B455 UNS C38500
12 Flange nuts (2)	Zinc plated steel	ASTM A307 Grade C
13 End adapter	Forged brass	ASTM B455 UNS C38500
14 Press socket O-ring	EPDM	Commercial grade

*Teflon is a registered trademark of the DuPont Company.

DIMENSIONS

Size	A	B	C	D
3/4"	3.50	2.17	0.75	3.62
1"	3.72	2.48	0.97	4.13
1-1/4"	3.96	2.95	1.19	5.41