

SUBMITTAL SHEET

JOB NAME	ITEM TAG
JOB LOCATION	PART NUMBER
CONTRACTOR	DATE
ENGINEER APPROVAL	DATE

QUARTER-TURN BALL-TYPE SILLCOCK

T/S-541FLG

Smooth, quarter-turn lever operation is superior to the traditional multi-turn handwheel designs.

Full-pattern body, extended lever operator and no-kink hose outlet angle, bring the operator's hand away from the outlet's sharp threads without compromising the ease of hose attachment.

Bubble-tight, self-cleaning ball closure is more durable than a stop typeclosure; The water-conserving ball design can be throttled.

Equipped with a stem packing and packing nut design, which is superior to packless-bonnet stem seal designs.

Oversized sill flange with attachment holes verses notches, assures a stable connection to the sill and makes it the perfect replacement valve for covering over-drilled, enlarged sill holes.

Ideal for frequent-use residential, commercial or industrial water applications.

Available in nominal sizes 1/2" and 3/4"

**All 3/4" GHT (garden hose) outlets accept 3/4" hose-threadmounted vacuum breakers, including our models T-553, T-553C, T-554, T-555, T-556, T-557 and T-557C

****NOTE: These models are not included with the T/S-541FLG and do not appear on this submittal sheet. Please check your local backflow prevention code requirements and contact Legend for additional submittal information.**

Working Pressure, Non Shock (PSI)

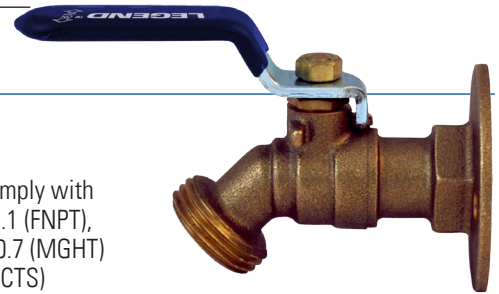
Cold working pressure (CWP): 125

Saturated steam (WSP): Not suitable for steam applications

MATERIAL SPECIFICATION

PART	MATERIAL	SPECIFICATION
1 Handle nut	Forged brass	ASTM B124 UNS C37700
2 Handle insulator sleeve	Vinyl	Commercial grade
3 Lever handle	Carbon steel	SAE 1010R (hot-rolled process)
4 Packing nut	Forged brass	ASTM B16 C36000
5 Stem packing	PTFE	*Polyfon™ PTFE M-392
6 Body	Cast brass	ASTM B584 C85710
7 Seats (2)	PTFE	*Polyfon™ PTFE M-392
8 Stem	Forged brass	ASTM B16 UNS C36000
9 Ball	Forged brass	ASTM B16 UNS C36000
10 End adapter	Cast brass	ASTM B584 C85710

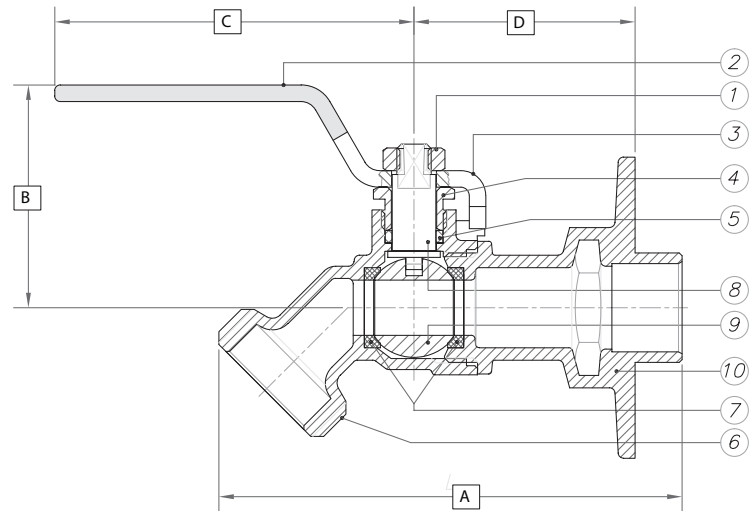
*Polyfon is a registered trademark of Daikin Industries



**Pictured
T-541FLG**



**Pictured
S-541CFLG**



**Pictured
S-541FLG
Cut-away**

DIMENSIONS

SIZE	A	B	C	D
1/2" Swt. x 3/4" MGHT	3.31	1.58	2.77	1.58
3/4" Swt. x 3/4" MGHT	3.54	1.58	2.77	1.58
1/2" FNPT x 3/4" MGHT	2.97	1.58	2.77	1.58
3/4" FNPT x 3/4" MGHT	2.97	1.58	2.77	1.58