

SPECIALTY
PRODUCTS

 **LEGEND
VALVE**

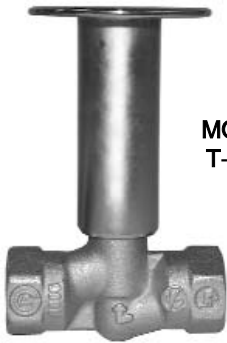
Downstream
Thinking.

IT'S ALL ABOUT YOU

LOG LIGHTER VALVES

FORGED BRASS - I.P.S.
ANGLE AND STRAIGHT PATTERN

ISO-9002



MODEL
T-3200



MODEL
T-3201

LEGEND MODEL T-3200 and T-3201 straight and angle pattern log lighter valves are constructed of heavy-duty forged brass. They have a metal-to-metal seat and a viton rubber and synthetic fiber stem seal. They are A.G.A. and C.G.A. design certified. The extremely high B.T.U. capacity makes them ideal for both natural and artificial fireplaces. Available with chrome or polished brass escutcheon.

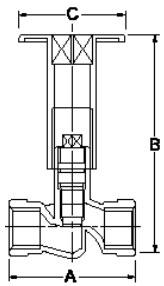


B.T.U. CAPACITY

	1 in. WG Pressure	.3 in. WG Pressure
T-3200	118,000 BTU/Hr.	65,000 BTU/Hr.
T-3201	182,000 BTU/Hr.	100,000 BTU/Hr.

MATERIAL SPECIFICATION	
PART	MATERIAL
BODY	FORGED BRASS
STEM	FORGED BRASS
WASHER	SYNTHETIC FIBER
O-RING	VITON
ESCUTCHEON	FORGED BRASS

PRESSURE RATING
1/2 lb. P.S.I.
Factory Tested at 100 P.S.I.



DIMENSIONS IN INCHES

VALVE SIZE	A	B	C
T-3200	2.60	4.65	2.17
T-3201	1.51	4.95	2.17

BRONZE METER VALVES

FLARE x I.P.S.



MODEL
T-442

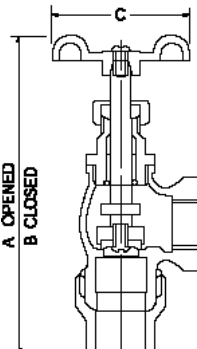


MODEL
T-441

LEGEND MODEL T-441 and T-442 angle meter valves are constructed of heavy duty bronze. They have a screwed-in bonnet, rising stem, composition disc and an extra large flow area to minimize pressure drop. The flare nut has an extra long shank for installation ease.

MATERIAL SPECIFICATION	
PART	MATERIAL
HANDLE SCREW	BRASS
HANDLE	CAST IRON
STEM	BRONZE
PACKING	TEFLON*
PACKING NUT	BRASS
BONNET	BRONZE
BODY	BRONZE
SEAT SCREW	BRASS
SEAT	EPDM
FLARE NUT	BRONZE
WASTE CAP	BRASS

PRESSURE RATING
125 W.O.G. NON-SHOCK



DIMENSIONS IN INCHES

VALVE SIZE	A	B	C
3/4" X 1/2"	5.71	5.20	2.13
3/4" X 3/4"	5.71	5.20	2.13
1" X 3/4"	6.78	6.30	2.13
1" X 1"	7.49	6.74	2.13

*DUPONT REG T.M.

BRONZE WASHING MACHINE VALVES

BALL TYPE - DUO CLOSE
I.P.S.



**MODEL
S-11**

**MODEL
T-11**

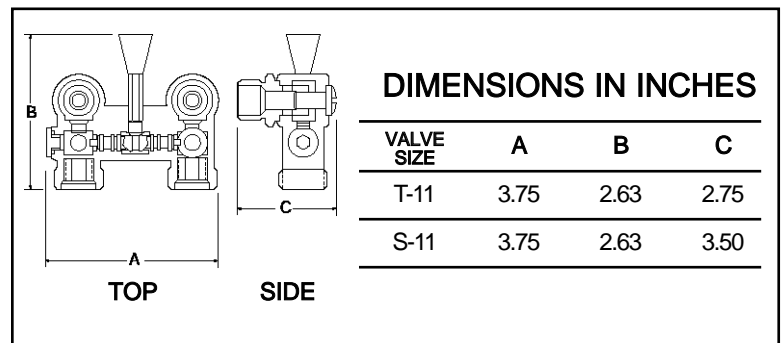
MATERIAL SPECIFICATION	
PART	MATERIAL
BODY	BRONZE
STEM	BRASS
SCREWS	STAINLESS STEEL
BALL	BRONZE
SEATS	TEFLON*

*DUPONT REG T.M.

PRESSURE RATING
150 W.O.G. NON-SHOCK
MAX. TEMPERATURE 180 F

LEGEND MODEL T-11 and S-11 washing machine shut-off valves are constructed of heavy-duty bronze. They provide control of both hot and cold water supply. The single lever control makes it easy to shut-off the water, thereby protecting the washing machine's hoses and inner working parts. The ball type design can be used to throttle water flow and ease the water hammer shock caused by solenoid valves.

MODEL T-11 has a combination 1/2" M.I.P. and 1/2" solder inlet connection.



PRESSURE RELIEF VALVE

CAST BRASS
I.P.S.

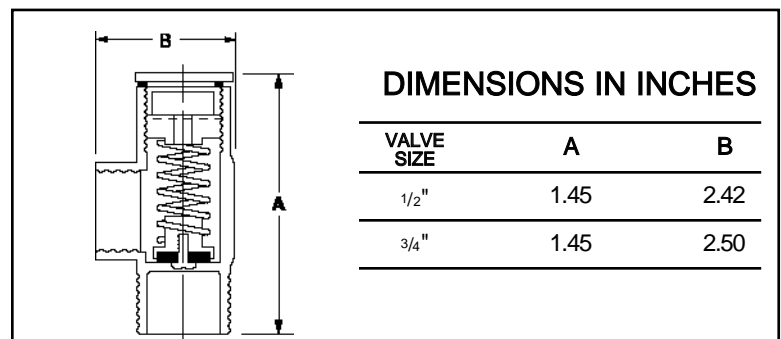
**MODEL
T-50**



LEGEND MODEL T-50 pressure relief valves are for protection against excessive pressure. Recommended for all water system installations to protect against damage to piping and pressure tanks. They are set at 75 P.S.I. and are adjustable to 150 P.S.I.

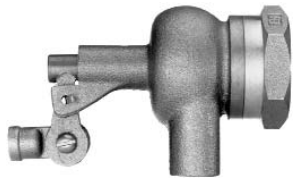
MATERIAL SPECIFICATION	
PART	MATERIAL
BODY	BRASS
OUTER CAP	BRASS
INNER CAP	BRASS
SEAT RETAINER	BRASS
SEAT	NBR (NITRILE)
SPRING	STAINLESS STEEL
SEAT SCREW	BRASS
CAP WASHER	FIBER

PRESSURE RATING
ADJUSTABLE FROM
75 TO 150 P.S.I.



FLOAT VALVES

CAST BRONZE
I.P.S.



MODEL
T-31



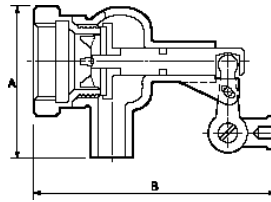
MODEL
T-32

LEGEND MODEL T-30, T-31 and T-32 float valves are constructed of heavy duty bronze. Mechanical float valves are for controlling water flow to cooling towers, waterworks, commercial and agricultural applications. They can be tank wall-mounted if desired. Copper floats, plastic floats and float rods are also available.

MATERIAL SPECIFICATION	
PART	MATERIAL
BODY	BRONZE
END ADAPTER	BRONZE
DISC	BRONZE
SEAT	EPDM
LEVER	BRONZE
ROD	BRASS
CONNECTING ROD	BRASS
PIN	BRASS
SCREW	BRASS

PRESSURE RATING
125 P.S.I.

DIMENSIONS IN INCHES		
VALVE SIZE	A	B
3/8" T-30	3.35	2.64
1/2" T-30	3.78	2.84
3/4" T-30	4.18	2.84
1" T-31	5.13	2.56
1 1/2" T-31	6.14	3.63
2" T-31	6.14	3.63
1 1/4" T-30	6.25	3.69
1/2" T-32	3.78	2.84
3/4" T-32	4.18	2.84



ANTI-SWEAT VALVES

CAST BRONZE
I.P.S.



MODEL
T-20



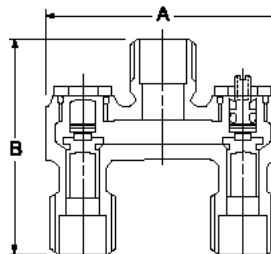
MODEL
T-20A

LEGEND MODEL T-20 and T-20A anti-sweat valves are constructed of heavy duty bronze. They help prevent condensation on toilet tanks and bowls. The T-20 allows for a fixed 30% mix of hot water. The T-20A adjustable model allows for the hot water feed to be adjusted or completely shut-off. Both models are 1/2" I.P.S., but compression nuts and ferrules are available for installation on copper.

MATERIAL SPECIFICATION	
PART	MATERIAL
BODY	BRONZE
HOT PLUG	BRASS
COLD PLUG	BRASS
SPRING	STAINLESS STEEL
O-RINGS	NBR
T-20A SCREW	BRASS
JUMPER VALVE	BRASS

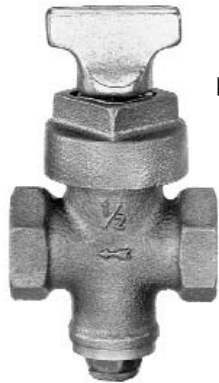
PRESSURE RATING
125 P.S.I.

DIMENSIONS IN INCHES		
VALVE SIZE	A	B
1/2" T-20	2.99	2.72
1/2" T-20	2.99	2.72



GROUND KEY STOP AND DRAIN

CAST BRONZE
I.P.S.

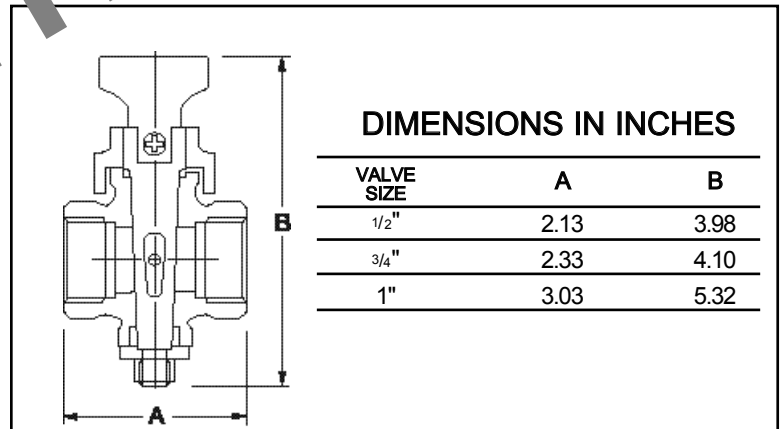


MODEL
T-25

LEGEND MODEL T-25 ground key stop and drain are constructed of heavy duty bronze. They are designed to drain the non-pressure side of the line automatically when shut-off. The plated key handle is for use with a street key. The top handle can be removed in order to use a 3/8" square.

Please note that our T-1006 automatic drain ball valve with handle is also ideal for this application.

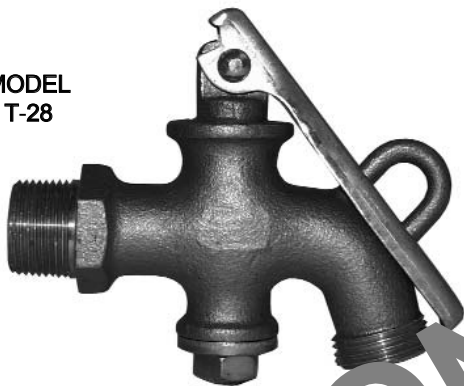
MATERIAL SPECIFICATION		PRESSURE RATING
		150 P.S.I.
PART	MATERIAL	
BODY	BRONZE	
PLUG	BRONZE	
BONNET	BRONZE	
WASHER	BRASS	
NUT	BRASS	
HANDLE	CAST IRON	



DRUM AND BARREL FAUCET

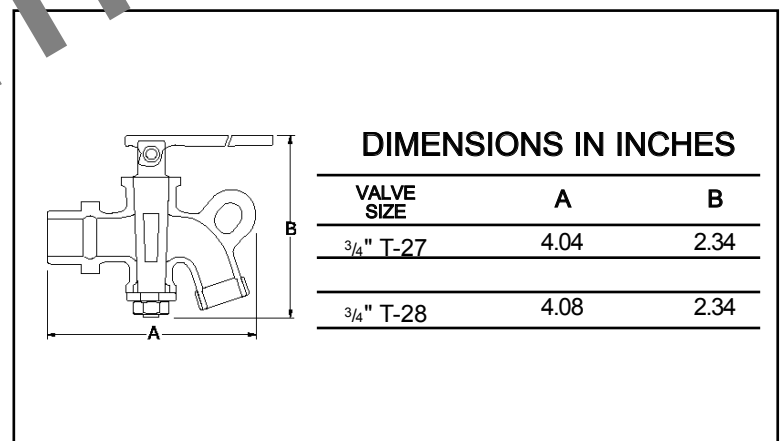
CAST BRONZE
I.P.S.

MODEL
T-28



LEGEND MODEL T-27 and T-28 drum and barrel faucets are constructed of heavy duty bronze. They are quarter-turn valves with lockable handles. The T-27 has a plain end outlet and the T-28 a nose thread outlet.

MATERIAL SPECIFICATION		PRESSURE RATING
		175 P.S.I.
PART	MATERIAL	
BODY	BRONZE	
PLUG	BRONZE	
WASHER	BRASS	
NUT	STAINLESS STEEL	
HANDLE	GALV. STEEL	
HANDLE PIN	STAINLESS STEEL	



DIELECTRIC UNIONS

FORGED STEEL



**MODEL
F.I.P. T-571**



**MODEL
M.I.P. T-571**



**MODEL
T-572**



**MODEL
T-573**



**MODEL
2 1/2\"-4\" T-571**

LEGEND MODELS T-571, T-572 and T-573 dielectric unions are constructed of high quality forged steel. They are an effective means for preventing corrosion caused by galvanic action resulting from the connection of dissimilar metals, and stray current corrosion. They are designed to meet ANSI B16.39 including hydrostatic strength, tensile strength, and air pressure testing.

They are supplied with EPDM gaskets, but high temperature gaskets are also available. Our high temperature gaskets are recommended in heating applications where the temperature can surge beyond the maximum temperature rating.

All unions come fully assembled.

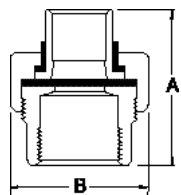
PRESSURE RATING: 200 P.S.I. @ 180 F
MAX TEMPERATURE RATING: 180 F

T-571	
MATERIAL SPECIFICATION	
PART	MATERIAL
I.P.S. CONNECTION	FORGED STEEL
NUT	FORGED STEEL
SOLDER CONNECTION	BRASS
GASKET	EPDM
INSERT	ABS

T-572	
MATERIAL SPECIFICATION	
PART	MATERIAL
I.P.S. CONNECTION	FORGED STEEL
NUT	FORGED STEEL
I.P.S. CONNECTION 2	FORGED STEEL
GASKET	EPDM
INSERT	ABS

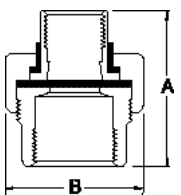
T-573	
MATERIAL SPECIFICATION	
PART	MATERIAL
I.P.S. CONNECTION	FORGED STEEL
NUT	FORGED STEEL
I.P.S. CONNECTION 2	BRASS
GASKET	EPDM
INSERT	ABS

DIMENSIONS IN INCHES T-571



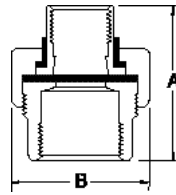
SIZE	F.I.P. X S					M.I.P. X S			
	1/2"	3/4"	3/4" X 1/2"	1"	1 1/4"	1 1/2"	2"	3/4"	3/4" X 1/2"
A	1.84	2.07	1.86	2.27	2.48	2.53	2.70	2.93	2.78
B	1.44	1.63	1.63	1.88	2.26	2.62	3.51	1.63	1.63
SIZE	2 1/2"	3"	4"						
A	3.63	3.75	4.25						
B	6.33	6.75	10.13						

DIMENSIONS IN INCHES T-572



SIZE	1/2"	3/4"	1"	1 1/4"	1 1/2"	2"
A	2.14	2.27	2.38	2.67	2.94	3.11
B	1.62	1.85	2.05	2.74	3.49	3.98

DIMENSIONS IN INCHES T-573



SIZE	1/2"	3/4"	1"
A	2.14	2.27	2.38
B	1.62	1.85	2.05

GALVANIZED AND BRASS COMPRESSION COUPLINGS



LEGEND GALVANIZED COMPRESSION COUPLINGS are constructed of heavy duty malleable iron. They have a long pattern body with rubber gaskets. They are iron pipe size for use in any piping or repair application on galvanized pipe.

PRESSURE RATING: 125 WOG

SIZE	1/2"	3/4"	1"	1 1/4"	1 1/2"	2"
LENGTH	4.25	5	5.63	6	6.75	6.75

LEGEND BRASS COMPRESSION COUPLINGS are constructed of heavy duty brass. They have a long pattern body with rubber gaskets. Most sizes fit both iron pipe sizes and copper tube sizes as indicated in the size chart below. They are for use in any piping or repair application on galvanized or copper tubing.

PRESSURE RATING: 125 WOG

SIZE CTS	1/2"	3/4"	1"	1 1/4"	1 1/2"	2"	
IPS	3/8"	1/2"	3/4"	1"	1 1/4"		1 1/2"
LENGTH	4.50	4.70	4.85	4.63	4.57	4.83	5.00

