



BUTTERFLY
VALVES

 **LEGEND
VALVE**

**Downstream
Thinking.**
It's all about Performance[®]

CAST IRON BUTTERFLY VALVES

LEGEND MODELS T-335 and T-337 butterfly valves are a wafer design made of ASTM A-126 cast iron. They have an aluminum bronze disc and stainless steel shaft. They offer a bubble tight seal and are bi-directional flow. The extended neck is ideal for insulated pipe. The ten position handle is standard. Intended for general piping applications requiring a positive shut-off.

- T-335AB:** ALUMINUM BRONZE DISC, EPDM SEAT
- T-335DI:** DUCTILE IRON DISC, EPDM SEAT
- T-335SS:** 316 STAINLESS STEEL DISC, EPDM SEAT*

- T-337AB:** ALUMINUM BRONZE DISC, BUNA-N SEAT
- T-337DI:** DUCTILE IRON DISC, BUNA-N SEAT
- T-337SS:** 316 STAINLESS STEEL DISC, BUNA-N SEAT*

- T-335AB-G:** ALUMINUM BRONZE DISC, EPDM SEAT
- T-335DI-G:** DUCTILE IRON DISC, EPDM SEAT
- T-335SS-G:** 316 STAINLESS STEEL DISC, EPDM SEAT*

- T-337AB-G:** ALUMINUM BRONZE DISC, BUNA-N SEAT
- T-337DI-G:** DUCTILE IRON DISC, BUNA-N SEAT
- T-337SS-G:** 316 STAINLESS STEEL DISC, BUNA-N SEAT*

**MODELS
T-335, T-337**



**MODELS
T-335-G, T-337-G**



LEGEND MODELS T-365 and T-367 butterfly valves are a lug design which permits **single flange (dead end) installation. They also offer the same construction and features as our **T-335 and T-337**.

- T-365AB:** ALUMINUM BRONZE DISC, EPDM SEAT
- T-365DI:** DUCTILE IRON DISC, EPDM SEAT
- T-365SS:** 316 STAINLESS STEEL DISC, EPDM SEAT*

- T-367AB:** ALUMINUM BRONZE DISC, BUNA-N SEAT
- T-367DI:** DUCTILE IRON DISC, BUNA-N SEAT
- T-367SS:** 316 STAINLESS STEEL DISC, BUNA-N SEAT*

- T-365AB-G:** ALUMINUM BRONZE DISC, EPDM SEAT
- T-365DI-G:** DUCTILE IRON DISC, EPDM SEAT
- T-365SS-G:** 316 STAINLESS STEEL DISC, EPDM SEAT*

- T-367AB-G:** ALUMINUM BRONZE DISC, BUNA-N SEAT
- T-367DI-G:** DUCTILE IRON DISC, BUNA-N SEAT
- T-367SS-G:** 316 STAINLESS STEEL DISC, BUNA-N SEAT*

**MODELS
T-365, T-367**



**MODELS
T-365-G, T-367-G**



ALL BUTTERFLY VALVES ARE 200 W.O.G. NON-SHOCK.

***INDICATES SPECIAL ORDER ITEMS. PLEASE CONTACT CUSTOMER SERVICE FOR MORE INFORMATION**

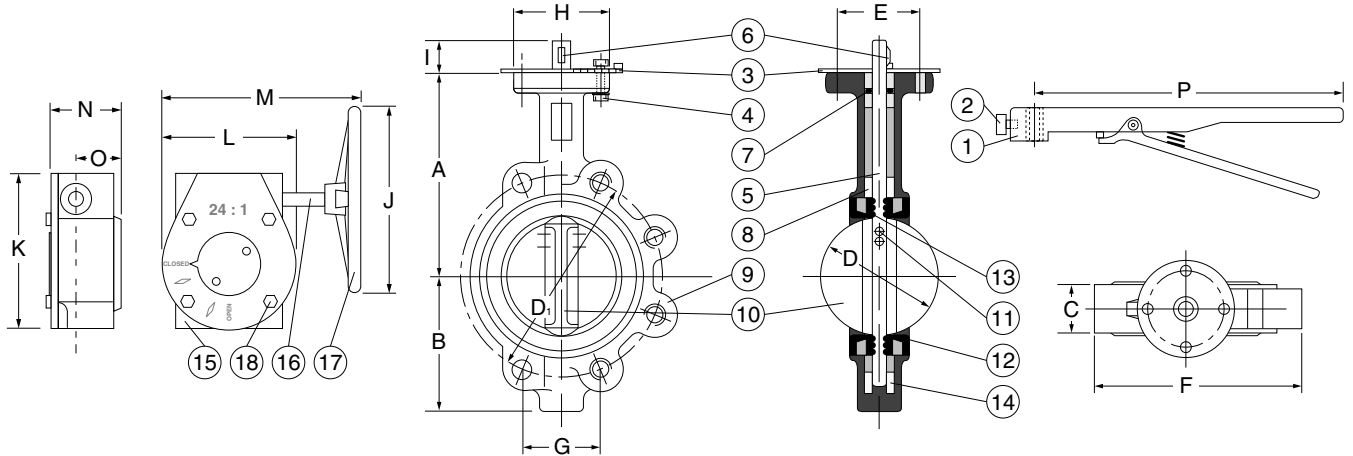
****UP TO 100 P.S.I. ONLY.**

BOLT DATA (LUG ONLY)				
VALVE SIZE	BOLT CIRCLE	BOLT SIZE	QTY	WOODRUFF SIZE
2"	4.75	5/8" - 11	4	#3
2 1/2"	5.50	5/8" - 11	4	#3
3"	6.00	5/8" - 11	4	#3
4"	7.50	5/8" - 11	8	#9
5"	8.50	3/4" - 10	8	#9
6"	9.50	3/4" - 10	8	#9
8"	11.75	3/4" - 10	8	#9

VALVE WEIGHT				
VALVE SIZE	T-335-G T-337-G	T-365-G T-367-G	T-335 T-337	T-365 T-367
2"	26 lbs.	28 lbs.	9 lbs.	11 lbs.
2 1/2"	28 lbs.	30 lbs.	11 lbs.	13 lbs.
3"	28 lbs.	31 lbs.	11 lbs.	14 lbs.
4"	31 lbs.*	38 lbs.*	14 lbs.	21 lbs.
5"	35 lbs.*	43 lbs.*	18 lbs.	26 lbs.
6"	38 lbs.*	46 lbs.*	21 lbs.	29 lbs.
8"	62 lbs.*	74 lbs.*	35 lbs.	47 lbs.

(*) NOTE: GEAR BOX AND HANDWHEEL NOT INSTALLED

CAST IRON BUTTERFLY VALVES



MATERIAL SPECIFICATIONS

NO.	PART	QTY.	MATERIAL
1	HANDLE	1	CAST IRON
2	HANDLE BOLT	1	STEEL
3	10-POSITION LATCH PLATE	1	STEEL
4	LATCH PLATE/GEAR OP. RETAINING BOLTS & NUTS	2 ea.	STEEL
5	SHAFT	1	416 STAINLESS STEEL
6	WOODRUFF KEY	1	416 STAINLESS STEEL
7	SHAFT WEATHER SEAL	1	EPDM (T-335, T-365) BUNA-N (T-337, T-367)
8	SHAFT BUSHINGS	3	BRONZE
9	BODY	1	CAST IRON
10	DISC	1	ALUMINUM BRONZE, DUCTILE IRON OR 316 STAINLESS STEEL
11	DISC PINS	1 or 2	416 STAINLESS STEEL (2"-5" : ONE 6" & 8" : TWO)
12	SEAT	1	PHENOLIC BACKED EPDM (T-335, T-365) OR BUNA-N (T-337, T-367)
13	SURGE SEALS	3	EPDM (T-335, T-365) BUNA-N (T-337, T-367)
14	AXIAL BEARING	1	BRONZE
15	GEAR BOX	1	CAST IRON
16	INPUT SHAFT	1	STEEL
17	HAND WHEEL	1	CAST IRON
18	GEAR BOX BOLTS	4	STEEL

DIMENSIONS IN INCHES

VALVE SIZE	A	B	C	D	E	F (wafer)	F (lug)	G (wafer)	H	I	J	K	L	M	N	O	P	D1
2"	6.34	3.15	1.65	2.08	2.25	3.94	4.76	3.34	3.03	1.26	12.00	5.19	4.25	8.00	2.75	1.50	10.50	4.75
2 1/2"	6.89	3.50	1.76	2.54	2.25	4.72	5.43	3.79	3.03	1.26	12.00	5.19	4.25	8.00	2.75	1.50	10.50	5.50
3"	7.13	3.74	1.78	3.10	2.25	5.00	5.75	2.41	3.03	1.26	12.00	5.19	4.25	8.00	2.75	1.50	10.50	6.00
4"	7.87	4.49	2.05	4.09	2.75	6.14	8.11	2.79	3.62	1.26	12.00	5.19	4.25	8.00	2.75	1.50	10.50	7.50
5"	8.39	5.00	2.13	4.85	2.75	7.48	9.21	3.24	3.62	1.26	12.00	5.19	4.25	8.00	2.75	1.50	10.50	8.50
6"	8.90	5.47	2.20	6.13	2.75	8.35	10.31	3.59	3.62	1.26	12.00	5.19	4.25	8.00	2.75	1.50	10.50	9.50
8"	10.24	6.89	2.39	7.97	3.50	10.55	12.32	4.44	4.53	1.77	12.00	7.25	6.25	12.38	3.25	1.69	14.00	11.75

CV FACTORS AT VARIOUS DISC OPENINGS (in degrees)

VALVE SIZE	10°	20°	30°	40°	50°	60°	70°	80°	90°	GEAR RATIO	STEM DIA.
2"	0.119	7.170	13.46	22.44	34.00	49	57	60	62	24:1	0.500
2 1/2"	0.185	11.21	28.68	44.68	65.28	87	106	118	123	24:1	0.500
3"	0.267	16.14	41.30	64.35	94.20	135.3	172	208	239	24:1	0.500
4"	0.467	28.70	73.42	114.4	167.5	240.6	314	384	438	24:1	0.625
5"	0.744	44.84	114.7	178.7	261.7	375.9	503	654	817	24:1	0.750
6"	1.07	64.57	165.2	257.4	376.8	541.3	744	995	1320	24:1	0.750
8"	1.90	114.8	293.7	457.6	669.9	962.3	1367	1772	3019	30:1	0.875