



HEATING  
VALVES

 **LEGEND  
VALVE**

**Downstream  
Thinking**  
IT'S ALL ABOUT YOU

# STEAM ANGLE RADIATOR VALVE

CAST BRONZE OR BRASS  
I.P.S.



MODEL  
T-431

**LEGEND MODEL T-431** steam angle radiator valves are constructed of heavy duty bronze. They have a screwed bonnet, rising stem and composition disc. **LEGEND MODEL T-431YB** (Yellow Brass) is the same heavy pattern as the T-431 except it is brass instead of bronze. Each valve is tested twice: air under water, in the open and closed position.

MATERIAL SPECIFICATION	
PART	MATERIAL
HANDLE SCREW	STEEL
HANDLE	PHENOLIC
PACKING NUT	BRASS
UNION NUT	BRONZE
TAILPIECE	BRONZE
PACKING	*TEFLON
STEM	FORGED BRASS
BONNET	BRONZE
DISC HOLDER	BRONZE
BODY	BRONZE
DISC	EPDM
DISC NUT	BRASS

**PRESSURE RATING**  
15 W.S.P.  
60 HOT WATER NON SHOCK

DIMENSIONS IN INCHES				
VALVE SIZE	A	B	C	D
1/2"	2.28	2.99	2.66	2.31
3/4"	2.54	3.18	2.74	2.31
1"	2.85	3.61	2.95	2.31
1 1/4"	3.22	3.82	3.26	2.31
1 1/2"	3.55	4.17	3.40	2.31
2"	4.17	6.39	5.34	2.75

\* DUPONT REG. T.M.

# HOT WATER ANGLE VALVES

CAST BRONZE  
I.P.S. AND SWEAT



MODEL  
T-437



MODEL  
S-437

**LEGEND MODEL T-437/S-437** hot water angle valves are constructed of heavy duty bronze. They have a screwed bonnet, rising stem and bronze disc. Each valve is tested twice: air under water, in the open and closed position.

THE 1", 1 1/4", AND 1 1/2" T-437 IS OUR STEAM ANGLE VALVE DRILLED FOR HOT WATER USE.

MATERIAL SPECIFICATION	
PART	MATERIAL
HANDLE SCREW	STEEL
HANDLE	PHENOLIC
PACKING NUT	BRASS
UNION NUT	BRONZE
TAILPIECE	BRONZE
PACKING	*TEFLON
STEM	BRONZE
BONNET	BRONZE
BODY	BRONZE
DISC	BRONZE AND EPDM

**PRESSURE RATING**  
60 HOT WATER NON SHOCK

DIMENSIONS IN INCHES				
VALVE SIZE	A	B	C	D
1/2" I.P.S.	2.14	2.86	2.44	2.31
3/4" I.P.S.	2.44	2.97	2.45	2.31
1/2" S	2.14	2.88	2.34	2.31
3/4" S	2.44	2.88	2.36	2.31

\* DUPONT REG. T.M.

# STEAM RADIATOR GATE VALVE

CAST BRONZE  
I.P.S.



MODEL  
T-435

**LEGEND MODEL T-435** steam radiator gate valves are constructed of heavy duty bronze. They have a screw-over bonnet, non-rising stem, solid wedge disc, and integral seats. Each valve is tested twice: air under water, in the open and closed position.

MATERIAL SPECIFICATION	
PART	MATERIAL
HANDLE SCREW	STEEL
HANDLE	PHENOLIC
PACKING NUT	BRASS
UNION NUT	BRONZE
TAILPIECE	BRONZE
PACKING	* TEFLON
STEM	FORGED BRASS
BONNET	BRONZE
BODY	BRONZE
DISC	BRONZE
LOCK NUT	BRASS
GLAND	BRASS

**PRESSURE RATING**  
125 W.S.P.  
200 W.O.G. NON SHOCK

VALVE SIZE	DIMENSIONS IN INCHES		
	A	B	C
1/2"	3.07	3.34	2.31
3/4"	3.47	3.63	2.31
1"	3.94	4.33	2.31
1 1/4"	4.41	4.93	2.31
1 1/2"	4.73	5.40	2.31

\* DUPONT REG. T.M.

# CONVECTOR STEAM ANGLE VALVE

CAST BRONZE  
I.P.S.



MODEL  
T-433

**LEGEND MODEL T-433** convector steam angle valves are constructed of heavy duty bronze. They have a screwed bonnet, rising stem and composition disc. Each valve is tested twice: air under water, in the open and closed position.

MATERIAL SPECIFICATION	
PART	MATERIAL
HANDLE SCREW	STEEL
HANDLE	PHENOLIC
PACKING NUT	BRASS
UNION NUT	BRONZE
TAILPIECE	BRONZE
PACKING	* TEFLON
STEM	FORGED BRASS
BONNET	BRONZE
DISC HOLDER	BRONZE
BODY	BRONZE
DISC	EPDM
DISC NUT	BRASS

**PRESSURE RATING**  
125 W.S.P.  
60 HOT WATER NON SHOCK

VALVE SIZE	DIMENSIONS IN INCHES			
	A	B	C	D
1"	1.67	3.54	2.87	2.31
1 1/4"	1.73	3.81	3.27	2.31

\* DUPONT REG. T.M.

# BALANCING VALVE

FORGED BRASS  
BALL TYPE

100% SHUT-OFF  
C x C

ISO-9002



**MODEL  
S-439**

**LEGEND MODEL S-439** balancing valves are constructed of heavy-duty forged brass. Due to their ball valve design they are far superior to conventional wafer style valves. They have a forged brass screwdriver slot and provide 100% shut-off.

MATERIAL SPECIFICATION	
PART	MATERIAL
SLOT	FORGED BRASS
STEM PACKING	TEFLON*
SEATS	TEFLON*
STEM	BRASS
BALL	CHROME PLATED BRASS
BODY	FORGED BRASS
END ADAPTER	FORGED BRASS

\*DUPONT REG T.M.

**PRESSURE RATING**  
400 W.O.G. NON-SHOCK

DIMENSIONS IN INCHES			
VALVE SIZE	A	B	C
1/2"	1.90	1.04	.40
3/4"	2.60	1.10	.60
1"	3.25	1.37	.80

# PURGE AND BALANCING VALVE

CAST BRONZE  
C x C



**MODEL  
S-464**

**LEGEND MODEL S-464** purge and balancing valves are constructed of heavy-duty bronze. The balancing adjustment is by means of a screwdriver slot. A boiler drain is easily installed for blow-off.

MATERIAL SPECIFICATION	
PART	MATERIAL
BODY	BRONZE
BONNET	BRASS
SLOT	BRASS
WAFER	BRASS
PACKING	NBR (Buna-N)

**PRESSURE RATING**  
80 W.O.G. NON-SHOCK

DIMENSIONS IN INCHES		
VALVE SIZE	A	B
3/4"	3.82	0.97

# BALANCING AND CIRCULATOR VALVES

CAST BRONZE



**MODEL  
S-425**



**MODEL  
T-429**

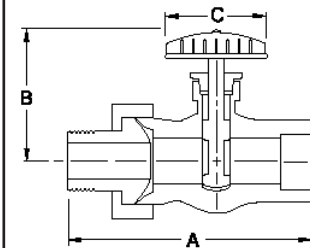
**LEGEND MODEL T-425/S-425 and T-429/S-429** straight circulator valves and straight-way fittings are constructed of heavy duty bronze. They have a male union, provide 100% shut-off and 1/4 turn flow control. For use on forced hot water heating systems up to 60 lbs.

MATERIAL SPECIFICATION	
PART	MATERIAL
BODY	BRONZE
UNION NUT	BRONZE
TAILPIECE	BRONZE
PACKING	TEFLON*
SEATS	TEFLON*
BONNET	BRONZE
BALL	BRASS
STEM	BRASS
HANDLE	PHENOLIC
SLOT	BRASS

\*DUPONT REG T.M.

**PRESSURE RATING**  
60 W.O.G.  
15 W.S.P.

DIMENSIONS IN INCHES				
VALVE SIZE	A	B	C	
1/2" T-425	3.55	1.66	2.31	
3/4" T-425	4.06	1.97	2.31	
1/2" S-425	3.43	1.66	2.31	
3/4" S-425	4.14	1.97	2.31	
<hr/>				
1/2" T-429	3.55	1.66	2.31	
3/4" T-429	4.06	1.97	2.31	
1/2" S-429	3.43	1.66	2.31	
3/4" S-429	4.14	1.97	2.31	



# UNION ELBOWS

CAST BRONZE  
I.P.S. AND SWEAT



**MODEL  
T-438**



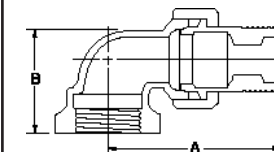
**MODEL  
S-438**

**LEGEND MODEL T-438/S-438** union elbows are constructed of heavy duty bronze. They have a male union and are available with a female pipe inlet or a female sweat connection. Each union elbow is tested air under water.

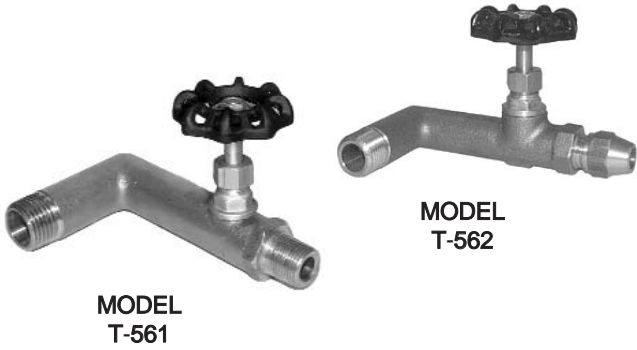
MATERIAL SPECIFICATION	
PART	MATERIAL
ELBOW	BRONZE
NUT	BRONZE
NIPPLE	BRONZE

**PRESSURE RATING**  
60 HOT WATER NON-SHOCK  
15 W.S.P.

DIMENSIONS IN INCHES				
VALVE SIZE	A (F.I.P.)	A (SWT)	B (F.I.P.)	B (SWT)
1/2"	2.24	2.15	1.42	1.63
3/4"	2.56	2.41	1.31	2.00
1"	2.84		2.00	
1 1/4"	3.40		2.50	



# OIL TANK VALVES

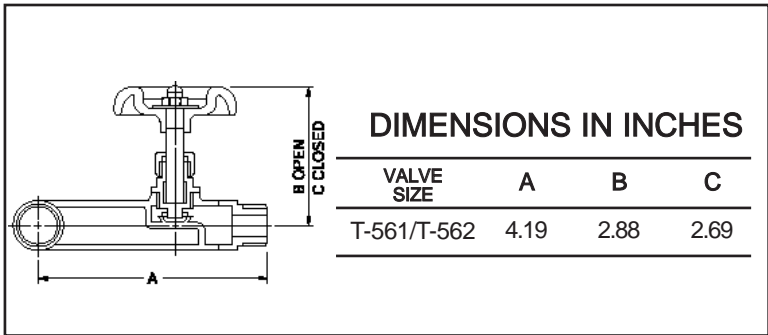


**LEGEND MODEL T-561/T-562** oil tank valves are constructed of heavy duty brass. They have a screwed bonnet, rising stem, and metal-to-metal seat. Designed for use as a bottom supply shut-off valve.  
\*Model T-562 supplied with flare nut.

MATERIAL SPECIFICATION	
PART	MATERIAL
BODY	BRASS
STEM	BRASS
DISC	BRASS
BONNET	BRASS
PACKING	TEFLON*
PACKING NUT	BRASS
HANDLE	CAST IRON
FLARE NUT	BRASS

\*DUPONT REG T.M.

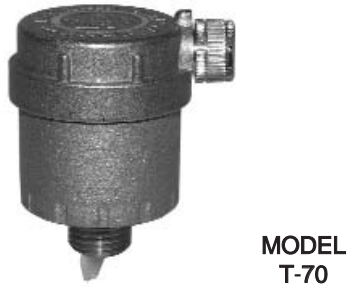
**PRESSURE RATING**  
125 W.O.G.



# AUTOMATIC HOT WATER AIR VENT

**FORGED BRASS**  
**I.P.S.**

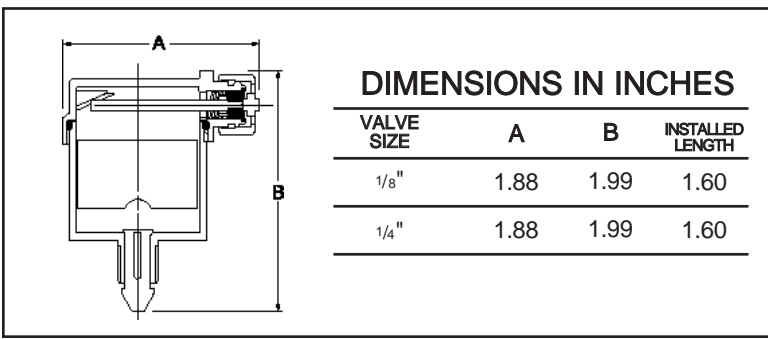
*ISO-9002*



**LEGEND MODEL T-70** automatic hot water air vent is constructed of heavy duty forged brass. It features a low profile, compact body with side vent designed to fit anywhere. It removes air from tanks, baseboards, radiators, unit heaters and systems. It is used for continuous venting of hot water and chilled water systems.

MATERIAL SPECIFICATION	
PART	MATERIAL
BODY	FORGED BRASS
COVER	FORGED BRASS
FLOAT	POLYETHYLENE
O-RINGS	NITRILE RUBBER
SPRING	STAINLESS STEEL
STEM	ACETALIC RESIN
CAP	ACETALIC RESIN
TAIL	ACETALIC RESIN

**PRESSURE RATING**  
200 W.O.G.  
**MAXIMUM SERVICE TEMPERATURE**  
250 F



## HEATING SPECIALTIES

**LEGEND MODELS T-75** manual adjustable air vent and **T-77** coin key air vent are designed for manual venting on baseboards, radiators and high points in piping systems.



MODEL  
T-75



MODEL  
T-77



MODEL  
T-569

MODEL  
T-570



**LEGEND MODEL T-569** venturi tees and **MODEL T-570** mono-flow tees are constructed of cast bronze. The T-570 is a scoop design while T-569 is a venturi design.