

SUBMITTAL SHEET

JOB NAME	ITEM TAG
JOB LOCATION	PART NUMBER
CONTRACTOR	DATE
ENGINEER APPROVAL	DATE

TWO-PIECE LARGE PORT STAINLESS STEEL BALL VALVE

T-715

Heavy-duty two-piece investment cast body design
Bottom-loaded blowout-proof stem
Equipped with a latch-lock handle
Ideal for commercial and industrial applications
Fiber reinforced graphite impregnated seats maintain their shape in high-pressure service.
Integral, tapped mounting pad for actuation or panel attachment

Working Pressure, Non-Shock (PSI)

Saturated Steam: 150
Cold Water, Oil, Gas: 2000 psi (1/4" to 1")
1500 psi (1-1/4" to 2")

Conforms to Federal Specification WW-V-35C, Type II, Composition: SS, Style: 3

Conforms to MSS Standard Practice 110

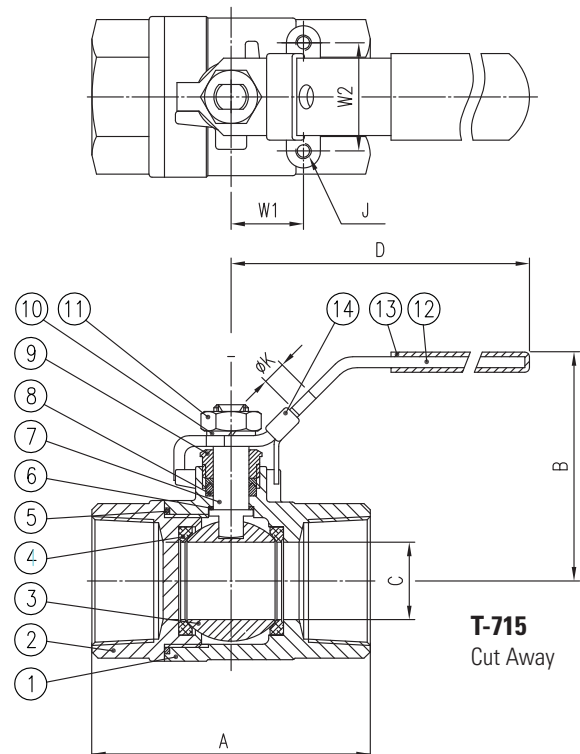
Threaded end connections comply with ANSI / ASME B1.20.1

Manufactured in an ISO 9002 accredited facility



MATERIAL SPECIFICATION		
PART	MATERIAL	SPECIFICATION
1 Body	Investment cast stainless steel	ASTM A351 CF8M
2 End adapter	Investment cast stainless steel	ASTM A351 CF8M
3 Ball	Stainless steel	1/4" - 1/2": ASTM A276 316
	Investment cast stainless steel	3/4" - 2": ASTM A351 CF8M
4 Seats (2)	Graphite-impregnated RTFE	20% glass fiber, 5% graphite
5 End adapter seal	PTFE	Dupont Teflon*
6 Thrust washer	PTFE	Dupont Teflon*
7 Stem	Stainless steel	ASTM A276 316
8 Stem packing (dual-ring)	PTFE	Dupont Teflon*
9 Packing nut	Stainless steel	AISI 304
10 Split (lock) washer	Stainless steel	AISI 304
11 Handle nut	Stainless steel	AISI 304
12 Handle	Stainless steel	AISI 304
13 Handle sleeve	Vinyl	Commercial grade
14 Latch lock	Stainless steel	AISI 304

*TEFLON IS A REGISTERED TRADEMARK OF DUPONT



DIMENSIONS								
Size	A	B	C	D	J	K	W1	W2
1/4"	2.01	1.97	0.37	3.94	10-24 UNC screw thread	0.20	0.50	1.12
3/8"	2.01	1.97	0.37	3.94	10-24 UNC screw thread	0.20	0.50	1.12
1/2"	2.34	1.97	0.49	3.94	10-24 UNC screw thread	0.30	0.50	1.12
3/4"	2.76	2.09	0.59	5.12	10-24 UNC screw thread	0.30	0.88	1.38
1"	3.31	2.52	0.79	5.12	10-24 UNC screw thread	0.30	0.88	1.38
1-1/4"	3.58	2.60	0.98	6.50	1/4"-20 UNC screw thread	0.30	0.88	1.38
1-1/2"	4.09	3.11	1.26	6.50	1/4"-20 UNC screw thread	0.30	1.00	1.50
2"	4.61	3.27	1.50	7.48	1/4"-20 UNC screw thread	0.30	1.00	1.50