

SUBMITTAL SHEET

JOB NAME	ITEM TAG
JOB LOCATION	PART NUMBER
CONTRACTOR	DATE
ENGINEER APPROVAL	DATE

NO LEAD QUARTER-TURN BALL-TYPE STRAIGHT CHROME SUPPLY STOP (WITH KEY)

P-596NL(LSNL)

Quarter-turn, self-cleaning ball valve design resists mineral and scale build-up, assuring positive shutoff and re-opening.

The ball-seat operation and dual O-ring stem seal features, out-perform traditional multi-turn stop designs.

Compact, forged brass and chrome plated bodies are both durable and decorative.

Manufactured for installation onto ASTM B88 types K, L and M hard-drawn copper tubing.

VUS / CTS-V pattern press-connection tubing sockets.

Available with standard handle or a loose key.

Working Pressure, Non-Shock (PSI)

Cold Working Pressure (CWP): 125 psi

Maximum Service Temperature: 180°F*

*Temperatures above 120°F increase the risk of scalding. Consult local code for temperature requirements.



Pictured:
P-596NL
Press x OD

MATERIAL SPECIFICATION	
PART	MATERIAL
Body	Chrome Plated Lead Free Brass
Ball	Chrome Plated Lead Free Brass
Ball Seats	PTFE
Stem	Lead Free Brass
Stem O-Rings	EPDM
Compression Nut	Chrome Plated Brass
Compression Ferrule	Brass
Handle	Chrome Plated Zinc
Handle Screw	Plated Carbon Steel
Press O-Ring	EPDM
Loose Key	Chrome Plated Zinc-Aluminum

Certifications/Listings:

Third-Party certified.

NSF/ANSI 61: Drinking water system components- Health effects.

NSF/ANSI 372: Drinking water system components - Lead content.

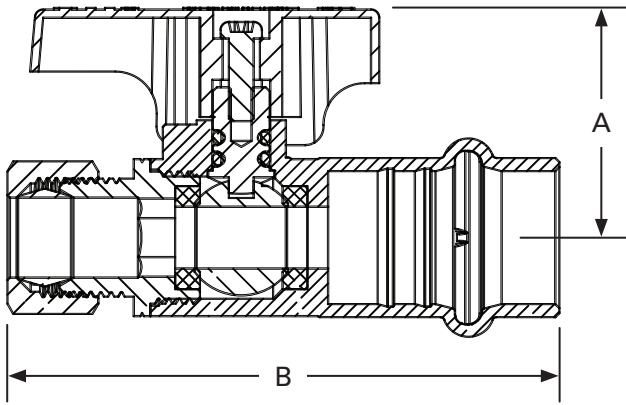
Standards:

ANSI/ASME B16.51: Copper and copper alloy press-connect pressure fittings.

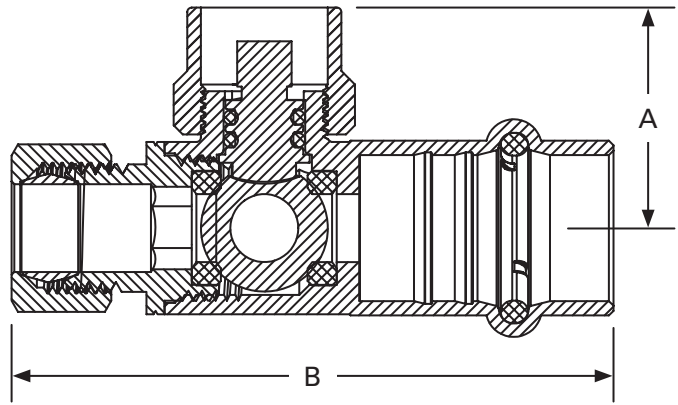


Pictured:
P-596LSNL
Press x OD

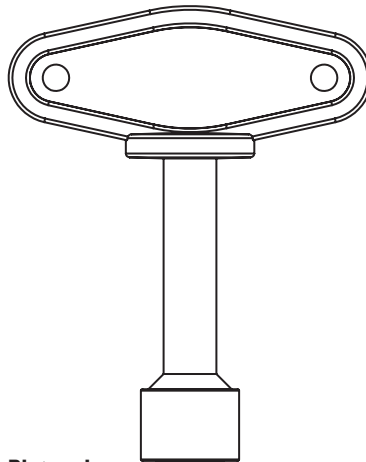
DIMENSIONS		P-596NL Straight	
Size		A	B
1/2" Press x 3/8" OD		1.10	2.63
1/2" Press x 1/4" OD		1.10	2.73
		P-596LSNL Straight (Loose Key)	
1/2" Press x 3/8" OD		1.43	2.61
1/2" Press x 1/4" OD		1.43	2.72



Pictured:
T-596LSNL
 Loose Key
 Cut-Away



Pictured:
T-596LSNL
 Loose Key
 Cut-Away



Pictured:
T-596LSNL
 Loose Key
 Cut-Away