

**SUBMITTAL SHEET**

|                   |             |
|-------------------|-------------|
| JOB NAME          | ITEM TAG    |
| JOB LOCATION      | PART NUMBER |
| CONTRACTOR        | DATE        |
| ENGINEER APPROVAL | DATE        |

**NO LEAD DZR FORGED BRASS PEX BALL VALVE**

**T-1960NL FNPT x CE and CE x CE**

Dezincification-resistant (DZR) forged brass resists corrosion from exposure to a wide variety of water conditions.

Bottom-loaded, blowout-proof stem features a dual-seal PTFE packing and EPDM rubber O-ring design, assuring positive sealing under a multitude of conditions.

Self-cleaning stainless steel ball resists mineral build-up and scaling.

Barbed end connections are designed for use with PEX (ASTM F876 & 877) and PE-RT (ASTM F2769).

Designed for use with cold expansion rings that are manufactured in compliance with ASTM F1960.

Available in 1/2" through 3" sizes.

Drainable model available in 1/2", 3/4" and 1" sizes.

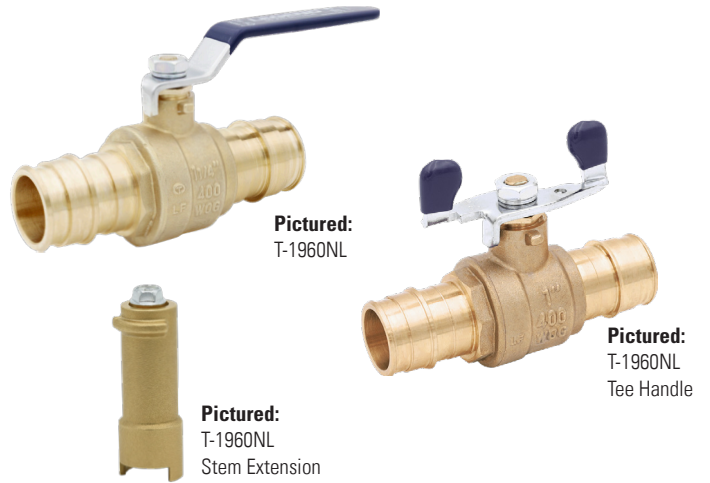
Tee Handle model available in 1/2", 3/4" and 1" sizes.

**Working Pressure, Non Shock (PSI)**

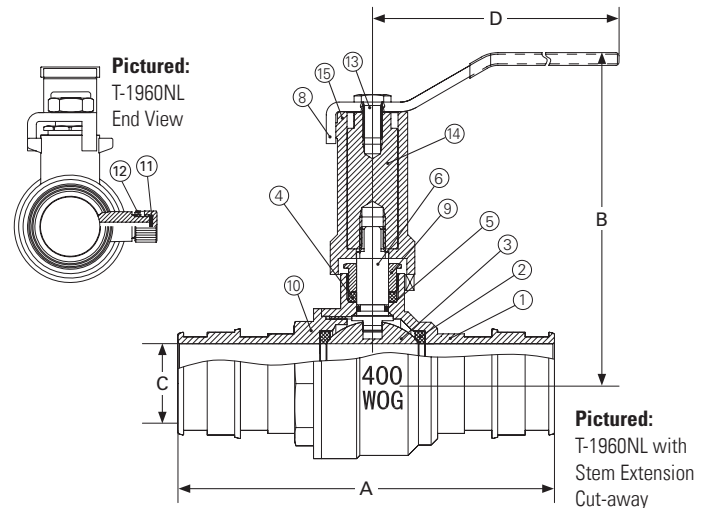
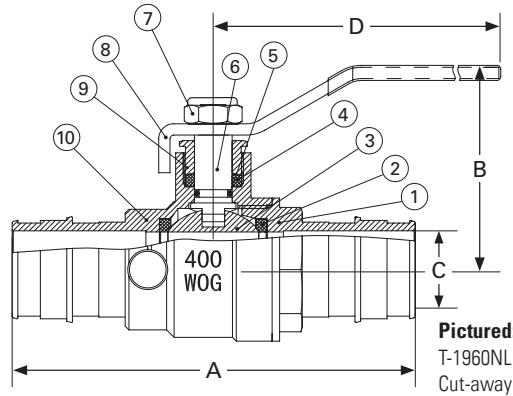
Cold working pressure (CWP): 400 psi (valve body)\*

Saturated steam (WSP): Not suitable for steam applications

\*Caution! Exceeds the pressure rating of PEX tubing



| MATERIAL SPECIFICATION |                  |                                 |
|------------------------|------------------|---------------------------------|
| PART                   | MATERIAL         |                                 |
| 1                      | Body             | DZR lead-free forged brass      |
| 2                      | Seats (2)        | PTFE                            |
| 3                      | Ball             | Stainless steel                 |
| 4                      | Packing          | PTFE                            |
| 5                      | O-ring           | NBR                             |
| 6                      | Stem             | Forged brass or stainless steel |
| 7                      | Handle nut       | Zinc plated steel with nylon    |
| 8                      | Handle           | Zinc plated steel               |
| 9                      | Packing nut      | Forged brass                    |
| 10                     | End Adapter      | DZR lead-free forged brass      |
| 11                     | Drain Cap        | Forged brass                    |
| 12                     | Gasket           | EPDM                            |
| 13                     | Screw            | Forged brass                    |
| 14                     | Stem Extension   | Forged brass                    |
| 15                     | Extension Sleeve | Forged brass                    |



| OPTIONAL STEM EXTENSIONS |                |  |
|--------------------------|----------------|--|
| SIZE                     | PRODUCT NUMBER |  |
| 1/2" to 3/4"             | 101-907        |  |
| 1" to 1-1/4"             | 101-908        |  |
| 1-1/2" to 2"             | 101-909        |  |

**DIMENSIONS**

| Size   | A     | A<br>(Drainable) | A<br>(FNPT Model) | B    | B<br>(w/ Stem Extension) | C    | D    |
|--------|-------|------------------|-------------------|------|--------------------------|------|------|
| 1/2"   | 2.58  | 2.89             | 2.28              | 1.69 | 3.50                     | 0.39 | 3.46 |
| 3/4"   | 3.31  | 3.48             | 2.68              | 1.81 | 3.62                     | 0.61 | 3.46 |
| 1"     | 3.98  | 4.23             | 3.33              | 2.09 | 3.93                     | 0.81 | 4.29 |
| 1-1/4" | 4.65  | –                | –                 | 2.25 | 4.09                     | 0.98 | 4.29 |
| 1-1/2" | 5.52  | –                | –                 | 2.45 | 4.30                     | 1.10 | 5.63 |
| 2"     | 6.91  | –                | –                 | 2.74 | 4.60                     | 1.58 | 5.63 |
| 2-1/2" | 8.80  | –                | –                 | 3.04 | –                        | 2.01 | 5.63 |
| 3"     | 10.75 | –                | –                 | 4.25 | –                        | 2.44 | 7.76 |

**Certifications/Listings:**

Third-party certified.  
 NSF/ANSI 14: Plastic piping system components and related materials.  
 NSF/ANSI 61: Drinking water system components - Health effects.  
 NSF/ANSI 372: Drinking water system components - Lead content

**Standards:**

ASTM F1960: Cold expansion fittings with PEX reinforcing rings.  
 ANSI/ASME B1.20.1: Pipe threads, General purpose, Inch.

