

SUBMITTAL SHEET

JOB NAME	ITEM TAG
JOB LOCATION	PART NUMBER
CONTRACTOR	DATE
ENGINEER APPROVAL	DATE

NO LEAD FORGED BRASS BALL VALVE WITH CPVC CONNECTIONS

T-2605NL & T-2606NL Drainable

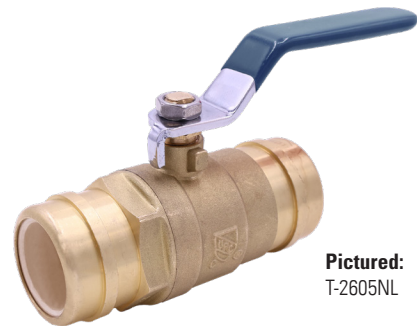
Durable brass body with CPVC solvent weld ends.
 Self-cleaning forged brass ball is chrome plated, to resist scale build-up
 Bottom-loaded, blowout-proof stem with PTFE packing gland and a forged packing nut
 Durable PTFE seats.
 Drainable models allow for easy draining and winterization of the downstream line.
 Available in nominal sizes 1/2", 3/4" and 1", with or without a drain.

Working Pressure, Non Shock (PSI)

Cold working pressure (CWP): 400 psi*

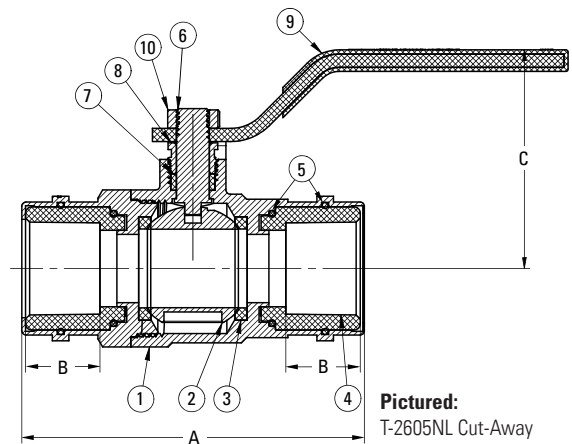
Saturated Steam (WSP): Not suitable for steam service

*Observe the maximum temperature & pressure rating of CPVC tubing



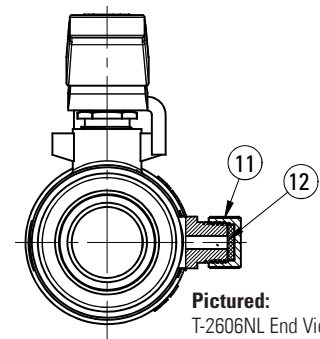
Pictured:
T-2605NL

MATERIAL SPECIFICATION		
PART		MATERIAL
1	Body	Lead-free forged brass
2	Ball	Chrome-plated lead-free forged brass
3	Seats (2)	PTFE
4	Socket (2)	CPVC
5	O-Ring (4)	EPDM
6	Stem	Lead-free forged brass
7	Packing	PTFE
8	Packing Nut	Forged brass
9	Handle	Plated steel
10	Handle Nut	Plated steel
11	Cap Gasket (T-2606NL ONLY)	EPDM
12	Drain Cap (T-2606NL ONLY)	Forged brass



Pictured:
T-2605NL Cut-Away

DIMENSIONS				
Size	A - Standard	A - Drainable	B	C
1/2"	2.75	2.91	0.50	1.98
3/4"	3.27	3.42	0.70	2.09
1"	4.18	4.41	0.90	2.48



Pictured:
T-2606NL End View

Certifications/Listings:

Third-party certified
 NSF/ANSI 61: Drinking water system components - Health effects.
 NSF/ANSI 372: Drinking water system components - Lead content
 Uniform Plumbing Code (UPC)

Standards:

ASTM D2846: Standard specification for Chlorinated Poly Vinyl Chloride (CPVC) Plastic Hot- and Cold-Water Distribution Systems.