

## SUBMITTAL SHEET

JOB NAME	ITEM TAG
JOB LOCATION	PART NUMBER
CONTRACTOR	DATE
ENGINEER APPROVAL	DATE

## FEMALE BOILER DRAIN

### T-522

Full-pattern body, packing and handwheel construction.

Available in nominal 1/2" and 3/4" FNPT, inlet x 3/4" MGHT hose thread outlet sizes.

#### Working Pressure, Non Shock (PSI)

Saturated steam (WSP): Not recommended for steam applications  
Cold Water, Oil, Gas: 125 CWP

#### MATERIAL SPECIFICATION

PART	MATERIAL
1 Bonnet	Cast brass
2 Body	Cast brass
3 Handle	Cast iron
4 Stem	Cast brass
5 Packing nut	Brass
6 Stem Packing	NBR (Buna-N) rubber
7 Seat washer	NBR (Buna-N) rubber
8 Seat retaining screw	Stainless steel
9 Handle fastener	Cadmium plated steel

#### DIMENSIONS - Inches

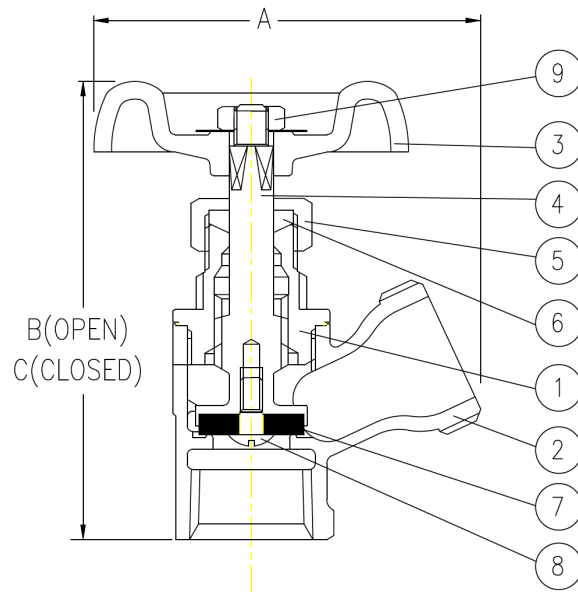
Size	A	B	C
1/2" FNPT	2.56	3.25	3.05
3/4" FNPT	2.56	3.25	3.05

#### Standards:

ANSI/ASME B1.20.1: Pipe threads, general purpose, Inch  
ANSI/ASME B1.20.7: Hose coupling screw threads, Inch



Pictured:  
**T-522**



Pictured:  
**T-522**  
Cut-away