

SUBMITTAL SHEET

JOB NAME	ITEM TAG
JOB LOCATION	PART NUMBER
CONTRACTOR	DATE
ENGINEER APPROVAL	DATE



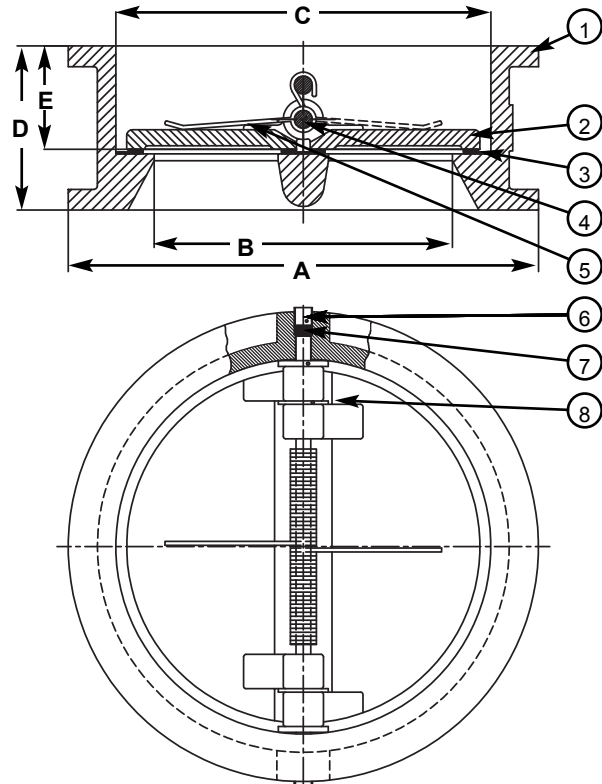
TWIN-DISC SILENT WAFER CHECK VALVE

T-312

- Dual spring-loaded discs assure quick, silent closure
- Elastomer seats create a positive seal against backflow
- Can be installed vertically or horizontally, in any orientation
- Durable cast iron body is designed to install easily between Class 125/150 companion flanges
- The compact body design is lighter and requires less installation space as compared to traditional flanged swing check valves
- The split-disc, center-torsional spring design minimizes pressure drop

- ANSI B16.1
- API 594

Working Pressure, Non-Shock (PSI)
Cold Water, Oil, Gas: 200CWP
Max temp: 200° F



MATERIAL SPECIFICATION

PART	MATERIAL	SPECIFICATION
1 Body	Cast Iron	ASTM A126 Class B
2 Discs (2)	Aluminum Bronze	ASTM B148 UNS C95800
3 Seat	EPDM Rubber	Commercial Grade
4 Disc and Spring Shafts (2)	Stainless Steel	ASTM A182
5 Disc Springs (2)	Stainless Steel	ASTM A182
6 Shaft Plugs (4)	Stainless Steel	ASTM A216
7 Plug Seals (4)	EPDM Rubber	Commercial Grade
8 Anti-Friction Thrust Washers (4)	PTFE	Dupont Teflon*

*Teflon is a registered trademark of Dupont

DIMENSIONS

Size	A	B	C	D	E
2"	4.02	1.69	2.56	2.13	1.26
2-1/2"	4.76	2.24	3.07	2.13	1.26
3"	5.28	2.76	3.7	2.24	1.38
4"	6.77	3.47	4.61	2.50	1.71
5"	7.64	4.53	5.71	2.76	1.81
6"	8.62	5.28	6.73	2.99	1.89
8"	10.91	7.17	8.74	3.74	2.40
10"	13.27	8.54	10.87	4.25	2.84
12"	16.02	10.24	12.87	5.63	3.58

T-312
Cut-away