

## SUBMITTAL SHEET

JOB NAME	ITEM TAG
JOB LOCATION	PART NUMBER
CONTRACTOR	DATE
ENGINEER APPROVAL	DATE

# LEAD-FREE QUARTER-TURN BALL-TYPE CHROME SUPPLY STOP

## T-595NL F1960 Cold-Expansion Inlet Connection

Lead-free design is suitable for all no-lead potable water installations, in full compliance of the National lead-free plumbing law.

Proprietary cold-expansion PEX inlet connection utilizes an exaggerated center barb and PEX reinforcing ring (not included) for a permanent, leak-free connection.

Quarter-turn, self-cleaning ball valve design resists mineral and scale build-up, assuring positive shutoff and re-opening.

The ball-seat operation and dual O-ring stem seal features, out-perform traditional multi-turn stop designs.

Compact lead-free forged brass chrome plated bodies are both durable and decorative.

An ideal upgrade replacement for worn, leaking stops that won't close completely.

Available in 3/8" O.D. or 1/4" O.D. compression outlet connections.

- Third-party tested and certified in compliance with U.S. Federal Public Law 111-380 (National lead-free plumbing law).
- PEX barb inlet connection complies with ASTM F1960 and is designed for PEX tubing conforming to ASTM F876 and F877.
- Manufactured in an ISO accredited facility.



**Pictured:**  
T-595NL F1960  
Cold-expansion



### Working Pressure, Non Shock (PSI)

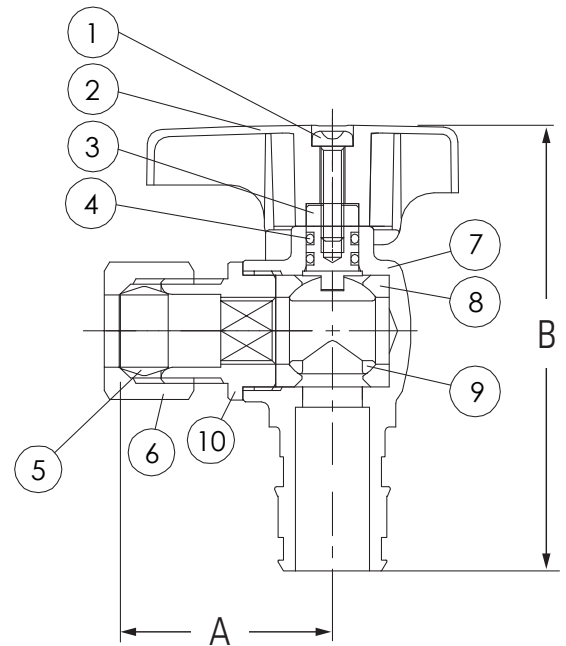
Cold working pressure (CWP):	125 CWP
Saturated steam (WSP):	Not suitable for steam service
Maximum service temperature:	120°F

### MATERIAL SPECIFICATION

PART	MATERIAL	SPECIFICATION
1 Handle screw	Plated carbon steel	AISI 1010
2 Handle	Chrome plated zinc	ASTM B86
3 Stem	Lead-free brass	UNS Alloy C46400
4 Stem O-ring (2)	NBR (Buna-N) rubber	Commercial grade
5 Compression ferrule	Brass	ASTM B135 UNS C26000
6 Compression nut	Chrome plated brass	ASTM B16 UNS C36000
7 Body	Lead-free chrome plated brass	UNS Alloy C46400
8 Seat (2)	EPDM rubber	Commercial grade
9 Ball	Lead-free chrome plated brass	UNS Alloy C46400
10 End Adapter	Lead-free chrome plated brass	UNS Alloy C46400

### DIMENSIONS

Nominal Inlet x O.D. Outlet	A	B
<b>T-595NL Angle</b> configuration: Cold-expansion PEX inlet x compression outlet		
1/2" F1960 PEX barb x 1/4" OD	1.02	2.32
1/2" F1960 PEX barb x 3/8" OD	1.10	2.32



**Pictured:**  
T-595NL F1960 Cold-expansion  
Cut-away